



VALVES

LEVER GATE - BRASS 200 WOG/CWP

FEATURES & APPLICATIONS:

- All Brass construction
- Made for Liquid Waste Industry
- 200 PSI WOG/CWP
- Lever action may be used for throttling product flow
- RIV Style has Hex top 2", 3", 4"
- Female x Female NPT



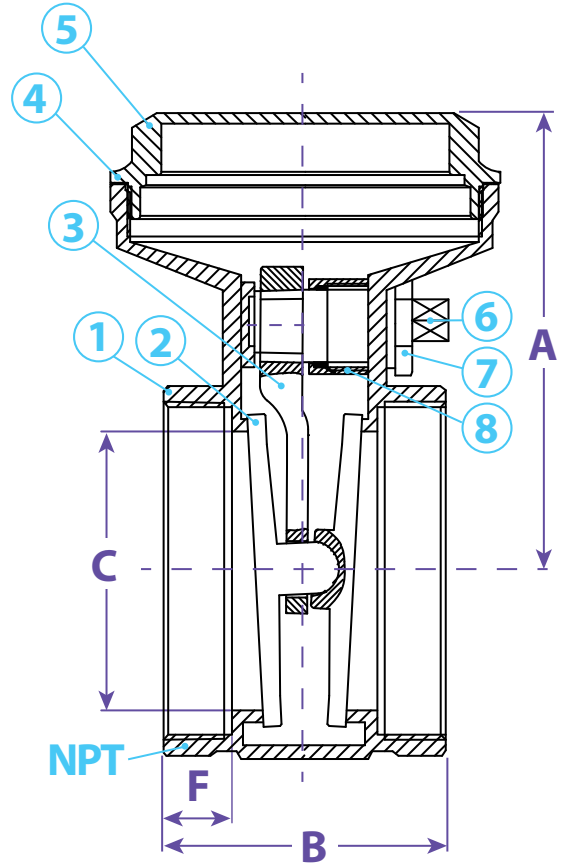
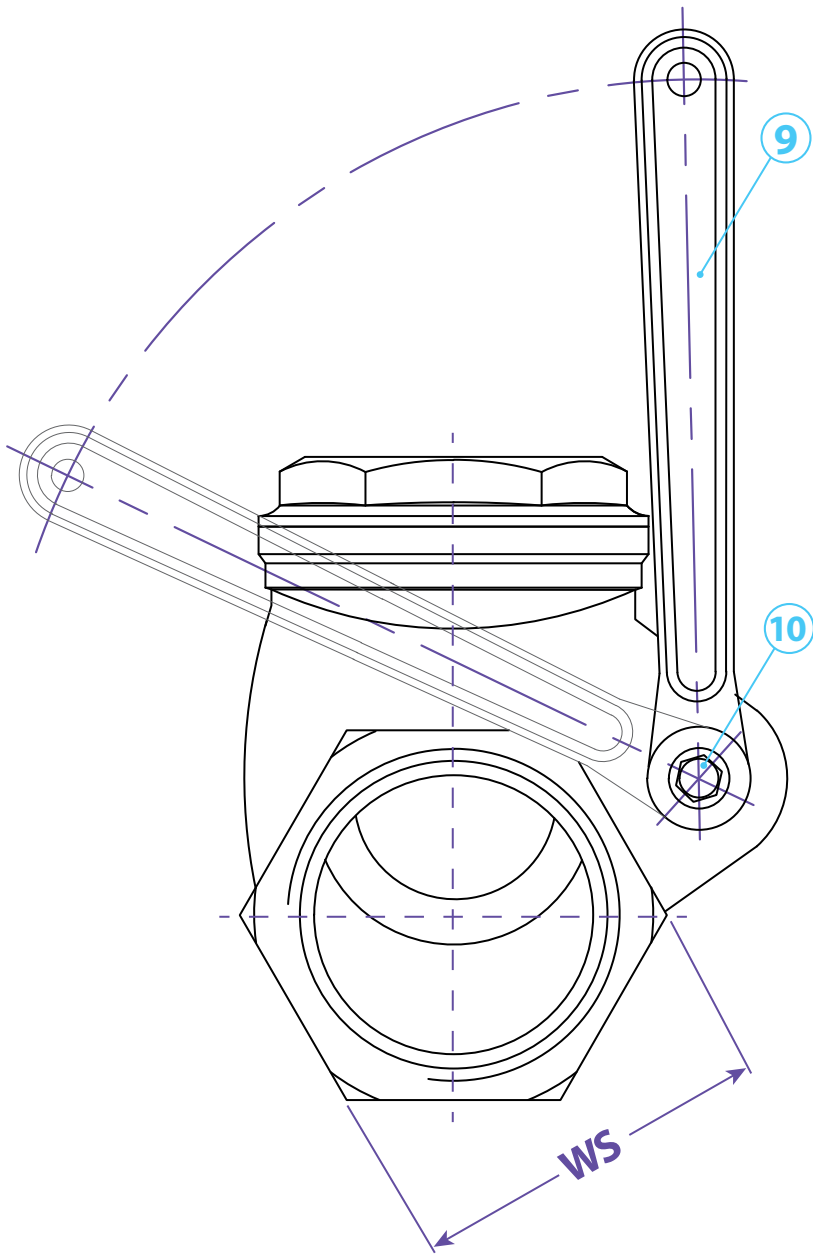
TECHNICAL DATA:

- **WOG** = Rating indicates the maximum non-shock pressure at ambient temperatures at which the valve may be used.
- **CWP** = Cold working pressure

WOG: Water, Oil & Gas: This was an older, generic pressure rating call-out which has been largely replaced by CWP. In this designation, "GAS" refers to any non-flammable, compressible fluid in a gaseous state. It does not imply a product's suitability or third-party approval for use with flammable gases. Similarly, in this designation, "Oil" does not imply a product's third-party approval for use with any petroleum products.

BRASS

Size	Part #
2"	LV200NPT
3"	LV300NPT
4"	LV400NPT



Dimensions						
Size	A	B	C	F	WS	Part #
2"	3.23	3.15	1.89	.79	2.60	LV200NPT
3"	4.61	3.43	2.76	.81	3.86	LV300NPT
4"	5.94	3.70	3.62	.81	4.76	LV400NPT

Nomenclature & Material

No.	Description	Material
1	Body	Brass
2	Disc	Brass
3	Shaft	Brass
4	Seal	PTFE
5	Cap	Brass
6	Stem	Brass
7	Nut	Brass
8	Oversleeve	PTFE
9	Handle	Brass
10	Bolt	Steel

TITLE
LEVER GATE VALVE

DISCLAIMER

All drawings and specifications are subject to change without notice. Drawings represent general dimensions of our products. Seal Fast Inc. cannot guarantee the dimensions will exactly match those in the drawing. The drawing is the property of Seal Fast Inc. Copying or reproduction of this drawing is expressly prohibited.

MATERIAL

BRASS

DRAWING NOT TO SCALE

PART #

LV...NPT